

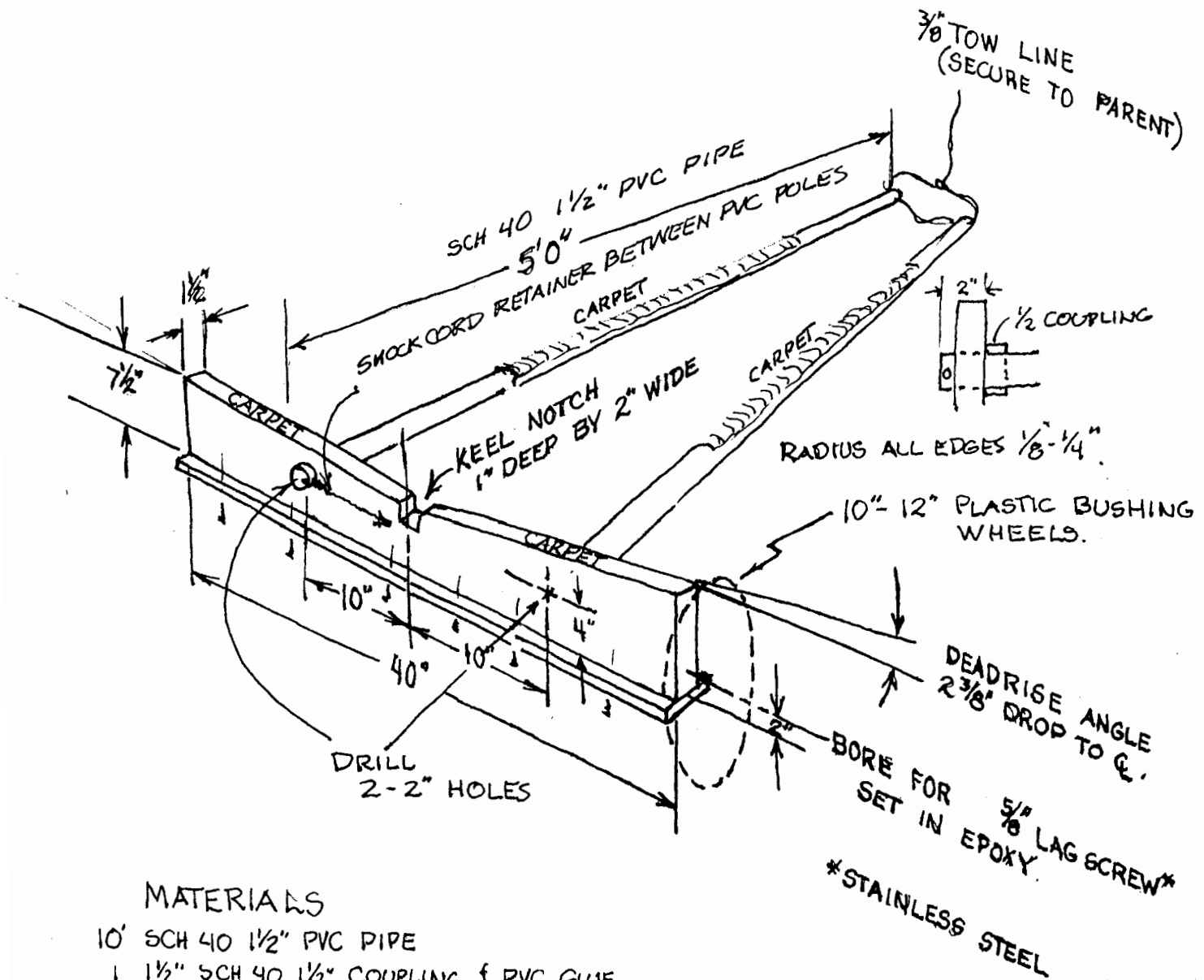
- ① MAST
- ② MAST KEEPER
- ③ MAST BLOCKS
- ④ BOOM
- ⑤ MAINSHEET (TO BRIDLES) (BOWLINE)
- ⑥ VANG (SMALL WHITE) (DECK → BLOCK → BOOM → BOWLINE ON BECKET.)
- ⑦ CUNNINGHAM (RED) (THRU SAIL TO BOWLINE ON GOOSENECK)
- ⑧ RUDDER (TILLER UNDER BRIDLE)
- ⑨ DAGGERBOARD (BLUNT EDGE FORWARD)
- ⑩ HALYARD (GREY) TO CLEAT ON MAST

LIFE JACKET ON?
 WHERE'S THE WIND?
 Questions 336-3622

STERN

FR

EL TORO DOLLY



MATERIALS

- 10' SCH 40 1 1/2" PVC PIPE
- 1 1 1/2" SCH 40 1 1/2" COUPLING & PVC GLUE
- 40" DF OR RW 2 x 8
- 40" " " " 1 x 4
- 2 WHEELS
- 2 5/8" x 6" LAG SCREWS w. WASHERS
(DIA DEPENDS ON WHEEL)
- 6 1 1/2" x #10 FH SS. SCREWS
- WELDBOND GLUE OR EPOXY
- 3-4' 3/8 LINE (TOWROPE)
- 12" SHOCK CORD WITH HOOKS
- CARPET (PADDING) & CONTACT CEMENT

TOOLS

- TAPE MEASURE & STRAIGHT EDGE
- SAWS: SKILL & HAND AND/OR BAND, SABRE
- 2" HOLE SAW OR PLUMBERS
- AUGER
- 1/2" ELECTRIC DRILL &
- ASSORTED BITS
- FILE
- SCREW DRIVER OR DRIVER BITS
- DRILL PRESS & HACKSAW IF
- COTTER PIN WHEEL INSTAL-
- LATION DESIRED.

RC